



**OPTIONAL ATTACHMENTS & ACCESSORIES**

**Accessories**

99944200551 Prosweep Brush Assembly - .018 Diameter

**Fits Models**

PAS-225	Pro Attachment Series
PAS-230	Pro Attachment Series
PAS-231	Pro Attachment Series
PAS-2400	Pro Attachment Series
PAS-260	Pro Attachment Series
PAS-2601	Pro Attachment Series
PAS-261	Pro Attachment Series
SRM-225SB	Split-Shaft Trimmer
SRM-2400SB	Split-Shaft Trimmer
SRM-260SB	Split-Shaft Trimmer
SRM-261SB	Split-Shaft Trimmer

**PARTS CATALOG**  
**99944200553 Pro**  
**Sweep Attachment**

**PAS Attachment**

**SERIAL NUMBERS**

ProSweep Attachment

**ECHO, INCORPORATED**

400 Oakwood Road Lake Zurich, Illinois 60047 USA

WWW.ECHO-USA.COM



# Table of Contents

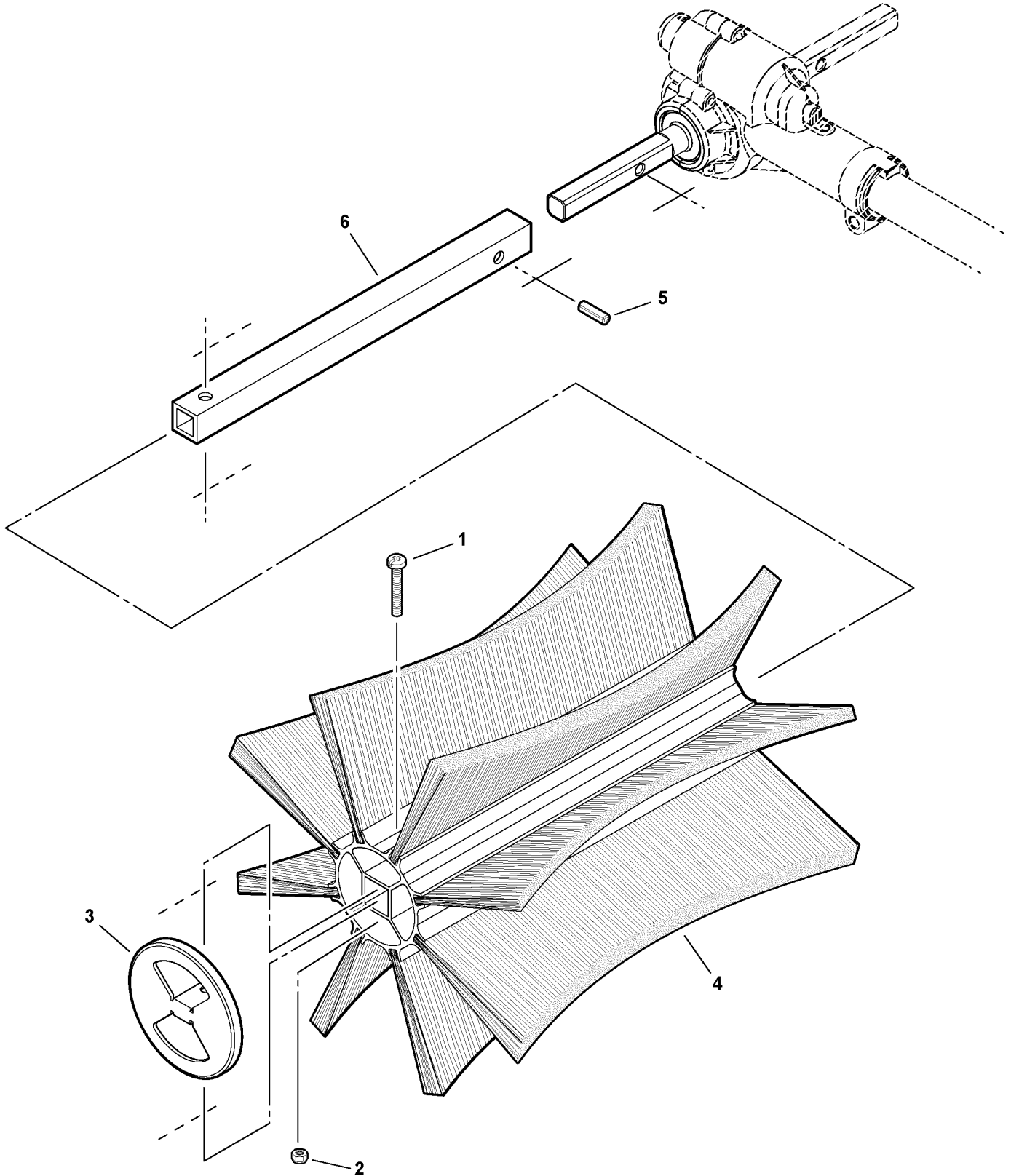
---

Click Any Diagram Description Below To View That Diagram.

## **99944200553 ProSweep Attachment**

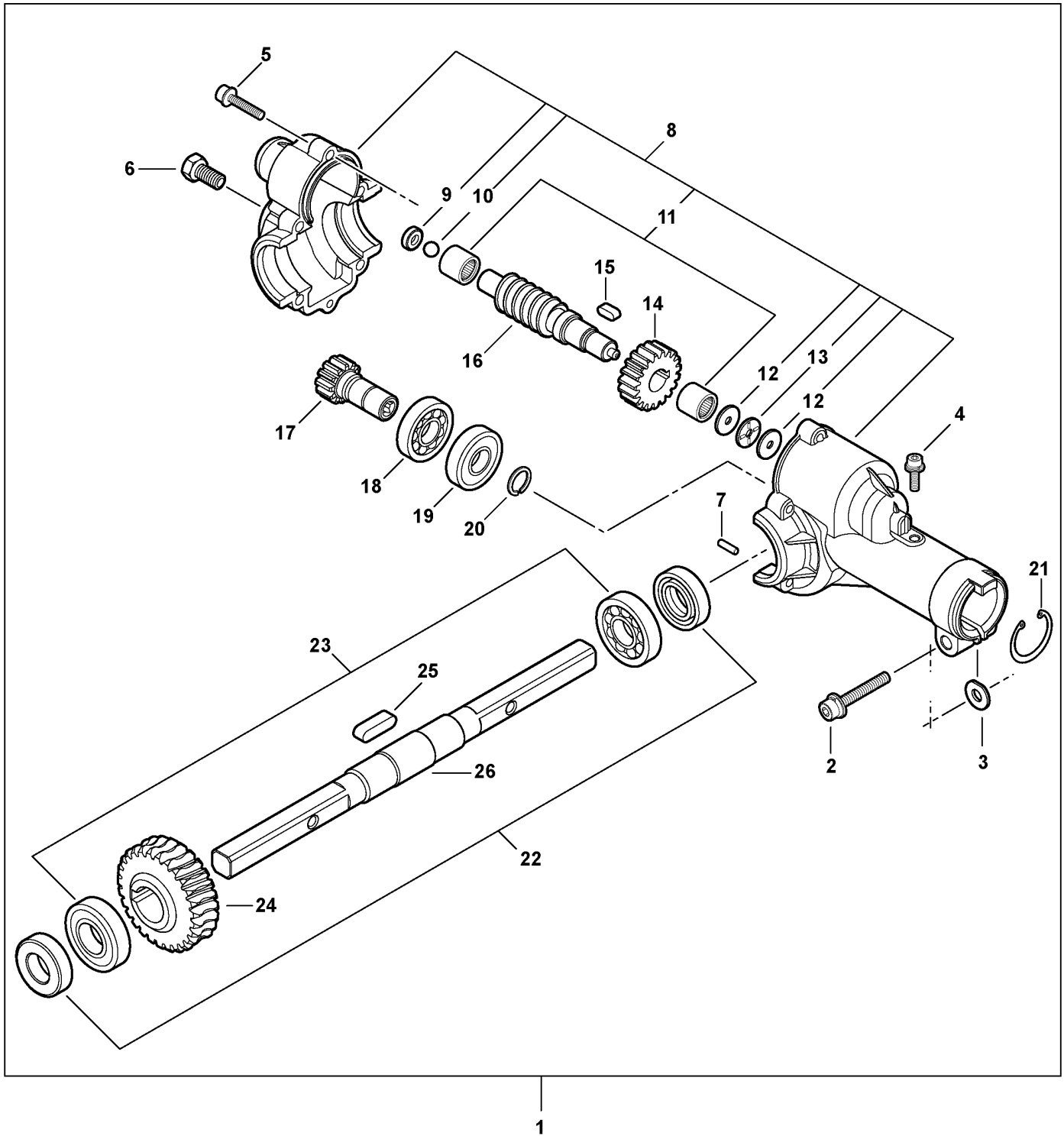
<b>Brush Assembly.....</b>	<b>4</b>
<b>Gear Case.....</b>	<b>6</b>
<b>Main Pipe Assembly.....</b>	<b>8</b>
<b>Part Number Index.....</b>	<b>10</b>
<b>Part Description Index.....</b>	<b>11</b>

***This Page Intentionally Left Blank***



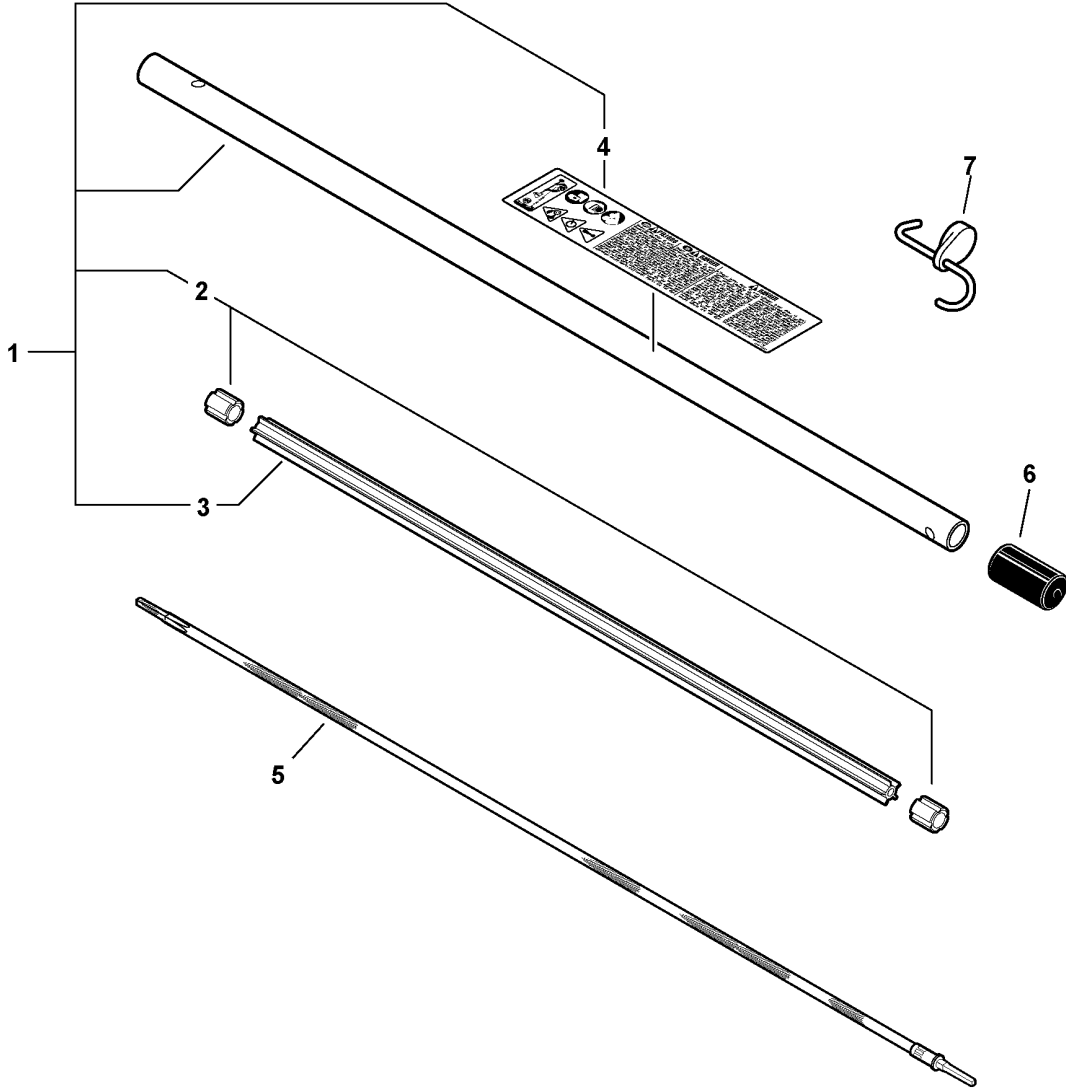
091 0002 028

ITEM	PART NUMBER	QTY	DESCRIPTION	REMARKS
1	90022005030	2	SCREW 5X30	
2	90056000005	2	LOCKNUT 5	
3	25023025561	2	CAP, END	
4	P021007010	1	BRUSH ASY - .028 INCH	INCLUDES 2 BRUSH ASSEMBLIES
5	40452325560	2	SPRING PIN	
6	C517000070	2	COUPLING, SHAFT	



090 0001 00B

ITEM	PART NUMBER	QTY	DESCRIPTION	REMARKS
1	C051000300	1	GEAR CASE ASY	INCLUDES ITEMS 2-26
2	90016206030	1	SCREW 6X30	
3	V340000220	1	WASHER	
4	90016205012	1	SCREW 5X12	
5	90016205020	5	SCREW 5X20	
6	90010008010	1	BOLT 8X10	
7	V622000030	1	DOWEL PIN	
8	P021016400	1	GEAR HOUSING ASY	INCLUDES ITEMS 9-13
9	V376001040	1	BUSHING	
10	V585000030	1	BALL	
11	V555000060	2	BEARING, NEEDLE	
12	V340000230	2	WASHER	
13	V590000010	1	BEARING, THRUST	
14	V650000380	1	GEAR, SPUR - 19 TOOTH	
15	V381000010	1	WOODRUFF KEY	
16	V652000060	1	GEAR, WORM	
17	V650000370	1	GEAR, SPUR - 12 TOOTH	
18	90085506901	1	BEARING, BALL - 6901	
19	90085706901	1	BEARING, BALL - 6901	
20	90070600012	1	CIRCLIP 12	
21	61033521460	1	SNAP RING 60	
22	60541611050	2	OILSEAL	
23	9400306003	2	BEARING, BALL - 6003	
24	V653000000	1	GEAR, WORM WHEEL	
25	V381000000	1	WOODRUFF KEY	
26	C534000490	1	SHAFT, WORM WHEEL	



031 0035 000



ITEM	PART NUMBER	QTY	DESCRIPTION	REMARKS
1	C050001060	1	MAIN PIPE ASY	INCLUDES ITEMS 2-3
2	61024644730	2	STOPPER	
3	C507000240	1	LINER	
4	X505002540	1	LABEL - CAUTION	
5	C506000002	1	DRIVESHAFT - FLEXIBLE	
6	35122301130	1	CAP, PROTECTIVE	
7	99944200630	1	PAS ATTACHMENT HANGER	INCLUDES 4 PER PACKAGE



# Part Number Index

Click The Page Number After Any Part Number To View The Diagram Containing That Part.

<u>Part Number</u>	<u>Page</u>
25023025561 .....	5
35122301130 .....	9
40452325560 .....	5
60541611050 .....	7
61024644730 .....	9
61033521460 .....	7
90010008010 .....	7
90016205012 .....	7
90016205020 .....	7
90016206030 .....	7
90022005030 .....	5
90056000005 .....	5
90070600012 .....	7
90085506901 .....	7
90085706901 .....	7
9400306003 .....	7
99944200630 .....	9
C050001060 .....	9
C051000300 .....	7
C506000002 .....	9
C507000240 .....	9
C517000070 .....	5
C534000490 .....	7
P021007010 .....	5
P021016400 .....	7
V340000220 .....	7
V340000230 .....	7
V376001040 .....	7
V381000000 .....	7
V381000010 .....	7
V555000060 .....	7
V585000030 .....	7
V590000010 .....	7
V622000030 .....	7
V650000370 .....	7
V650000380 .....	7
V652000060 .....	7
V653000000 .....	7
X505002540 .....	9



# Part Description Index

---

Click The Page Number After Any Part Description To View The Diagram Containing That Part.

## B

BALL.....7  
BEARING, BALL - 6003.....7  
BEARING, BALL - 6901.....7  
BEARING, NEEDLE.....7  
BEARING, THRUST.....7  
BOLT 8X10.....7  
BRUSH ASY - .028 INCH.....5  
BUSHING.....7

## C

CAP, END.....5  
CAP, PROTECTIVE.....9  
CIRCLIP 12.....7  
COUPLING, SHAFT.....5

## D

DOWEL PIN.....7  
DRIVESHAFT - FLEXIBLE.....9

## G

GEAR CASE ASY.....7  
GEAR HOUSING ASY.....7  
GEAR, SPUR - 12 TOOTH.....7  
GEAR, SPUR - 19 TOOTH.....7  
GEAR, WORM.....7  
GEAR, WORM WHEEL.....7

## L

LABEL - CAUTION.....9  
LINER.....9  
LOCKNUT 5.....5

## M

MAIN PIPE ASY.....9

## O

OILSEAL.....7

## P

PAS ATTACHMENT HANGER.....9

## S

SCREW 5X12.....7  
SCREW 5X20.....7  
SCREW 5X30.....5  
SCREW 6X30.....7  
SHAFT, WORM WHEEL.....7  
SNAP RING 60.....7  
SPRING PIN.....5  
STOPPER.....9

## W

WASHER.....7  
WOODRUFF KEY.....7



**ECHO, INCORPORATED**

400 Oakwood Road  
Lake Zurich, IL 60047 USA

[WWW.ECHO-USA.COM](http://WWW.ECHO-USA.COM)

---